

BESCHREIBUNG *discription*

Ventiltyp 79-04

fremdgesteuertes 3/2-Wege Ventil, Grauguss

In Ruhestellung ist das Ventil durch Federkraft von P nach A geschlossen, A nach R geöffnet. Wird der Antrieb mit Steuerdruck beaufschlagt, hebt dieser den Steuerkolben und gleichzeitig auch den Ventilteller an - das Ventil öffnet von P nach A, R ist geschlossen. Bei der Option -UN kann der Eingangsdruck (p) wahlweise an allen 3 Anschlüssen gelegt werden und somit als Mischventil, Verteilventil oder Umschaltventil einsetzbar.

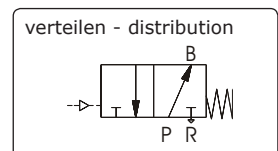
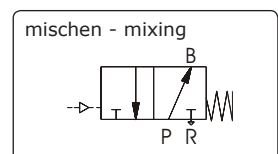
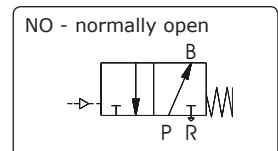
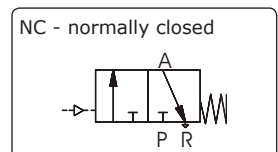
Valve Type 79-04

externally controlled 3/2-way, grey cast

Valve closed by spring force in rest position from port P to A and open port A to R. When the actuator is pressurised the piston is lifted of the seat (orifice) directly - Valve is open from port P to A, port R is closed. The option -UN is for universal use. The inlet pressure (p) can be optionally fed at either of the three connections. Thanks to this, type 78 can be used as a mixing valve, distribution valve and switchover valve.

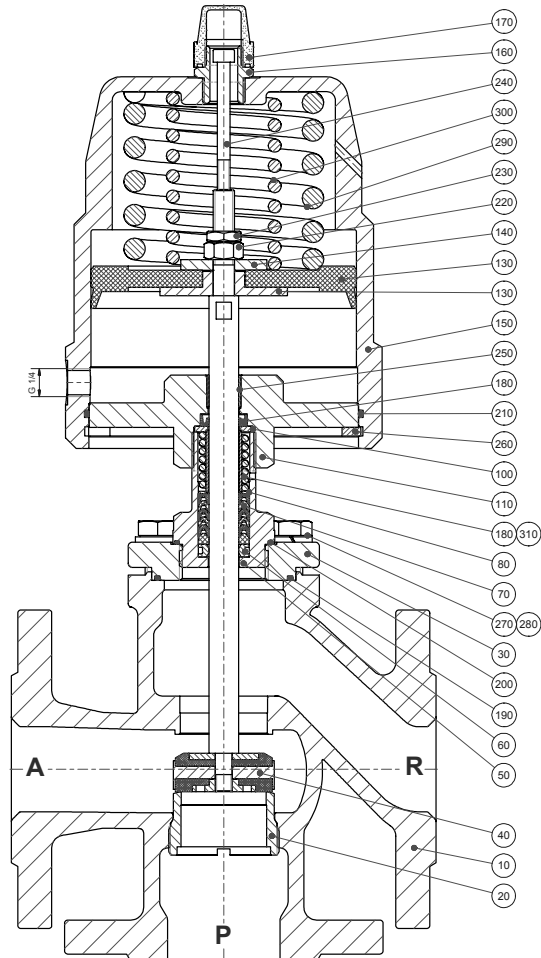

TECHNISCHE DATEN *technical data*

| Eigenschaften <i>features</i> | Standardausführung <i>standard version</i> |
|--------------------------------------------------------------------|----------------------------------------------------------------------------------------------------------------------|
| Funktionen <i>function</i> | |
| Steuerungsart <i>principle of control</i> | fremd- und direktgesteuert <i>externally controlled and direct acting</i> |
| Konstruktion <i>konstruktion</i> | Sitzventil <i>seat valve</i> |
| Schaltprinzip <i>operating principle</i> | NC - NO - UN <i>normally closed - normally open - universal</i> |
| Spezifikation <i>specification</i> | |
| Anschluss <i>connection</i> | Flansch DN15 ... DN150 PN16 <i>flange</i> |
| Druck <i>pressure</i> | 0 ... 16 bar |
| Durchflussmedium <i>fluid</i> | gasförmig, flüssig bis 600mm ² /s <i>gaseous, liquified fluids up to 600mm²/s viscosity</i> |
| Temperatur Medium <i>fluid temperature</i> | -10°C ... +80°C NBR -40°C ... +200°C PTFE |
| Temperatur Umgebung <i>ambient temperature</i> | -20°C ... +60°C |
| Werkstoffe <i>materials</i> | |
| Ventilgehäuse <i>valve body</i> | GG-25 EN-GJL-250 <i>grey cast</i> |
| metallische Innenteile <i>metallic internal parts</i> | Messing <i>brass</i> |
| Dichtung <i>sealing</i> | NBR / PTFE 79../..01/70.. PTFE / PTFE 79../..04/70.. |
| Elektrischer Anschluss <i>electrical connection</i> | |
| Spannung <i>voltage</i> | siehe Pilotventil BR72 <i>see pilotvalve type72</i> |
| externer Druckanschluss <i>external pressure control</i> | |
| Steuerdruck <i>pilot pressure</i> | 4 ... 8 bar |
| Steuermedium <i>pilot media</i> | saubere geölte oder trockene Druckluft <i>clean oiled or dry air</i> |
| Steueranschluss <i>pilot connection</i> | G1/8 - G1/4 |
| Einbaulage <i>mountion instructions</i> | |
| beliebig <i>in any position</i> | |

SCHALTSYMBOL *switching symbol*


D79.. Ventil ohne Ausgleichszylinder
D79.. without pressure balance cylinder

| | | |
|-----|------------------|-----------------|
| 10 | Armatur | valve body |
| 20 | Schraub Sitz | screw seat |
| 30 | Deckel | cover |
| 40 | Spindel | spindle |
| 50 | Verschraubung | screw joint |
| 60 | Ring-PTFE | PTFE ring |
| 70 | V-Man PTFE | V-sealing set |
| 80 | Scheibe | disk |
| 90 | Feder | spring |
| 100 | Scheibe | disk |
| 110 | Flansch | flange |
| 120 | Scheibe | disk |
| 130 | Fertigkolben | piston |
| 140 | Scheibe | disk |
| 150 | Antriebszylinder | actuator |
| 160 | Verschraubung | screw joint |
| 170 | Kunststoffkappe | plastic cap |
| 180 | Nutring-FKM | sealing ring |
| 190 | O-Ring | o-ring |
| 200 | O-Ring | o-ring |
| 210 | O-Ring | o-ring |
| 220 | Mutter | nut |
| 230 | Mutter | nut |
| 240 | Schraube | screw |
| 250 | DU-Buchse | bushing ring |
| 260 | Sicherungsring | snap ring |
| 270 | Schraube | screw |
| 280 | Federring | spring ring |
| 290 | Feder | spring |
| 300 | Feder | spring |
| 310 | Distanzbuchse | distance socket |

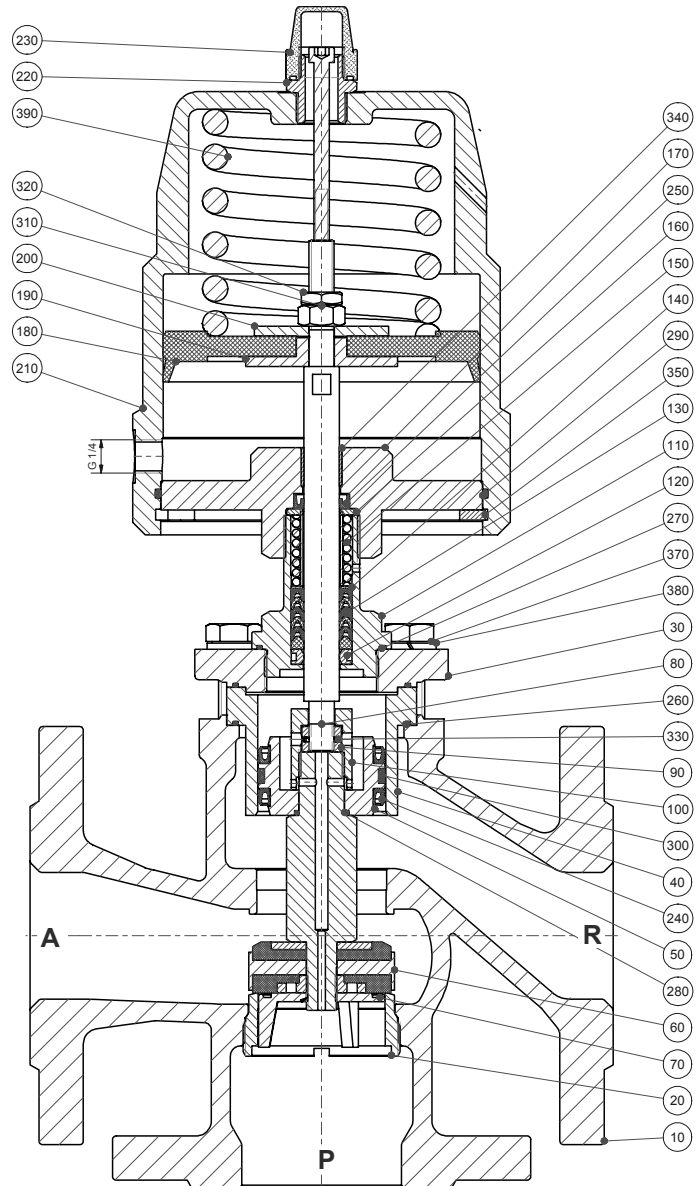

techn. Werte-Tabelle DN15 ... DN150

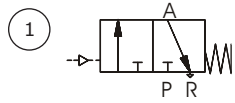
| Anschluss connection F | Sitz seat Ø mm | Kv-Wert flowrate m³/h | Standardtype standard type GG-25/ grey cast PN16 | max. Druck (bar) bei 6bar Steuerdruck max. pressure range (bar) with 6bar control pressure | | | | | |
|-----------------------------------------------------------------------------|----------------------|-----------------------------|-----------------------------------------------------------|-----------------------------------------------------------------------------------------------|-------|-------|----------|----------|----------|
| | | | | *7005 | *7008 | *7013 | *7005-UN | *7008-UN | *7013-UN |
| 15 | 15 | 6,8 | D7901/0401/* | 0-5 | 0-16 | | 0-4 | 0-12 | |
| 20 | 20 | 8,8 | D7902/0401/* | 0-5 | 0-16 | | 0-4 | 0-12 | |
| 25 | 25 | 11,5 | D7903/0401/* | 0-3 | 0-14 | 0-16 | 0-3 | 0-8 | 0-12 |
| 32 | 32 | 18,0 | D7904/0401/* | | 0-9 | 0-16 | | 0-8 | 0-12 |
| 40 | 40 | 26,0 | D7905/0401/* | | 0-3 | 0-5 | | 0-3 | 0-5 |
| 50 | 50 | 38,0 | D7906/0401/* | | 0-2 | 0-5 | | 0-2 | 0-5 |
| 65 | 65 | 62,0 | D7907/0401/* | | | 0-3 | | | 0-3 |
| Ausführung E79: mit Ausgleichszylinder! type E79: with pressure balance! | | | | | | | | | |
| 40 | 40 | 26,0 | E7905/0401/* | | | | | | 0-16 |
| 50 | 50 | 38,0 | E7906/0401/* | | | | | | 0-16 |
| 65 | 65 | 62,0 | E7907/0401/* | | | | | | 0-16 |
| 80 | 80 | 89,0 | E7908/0401/* | | | | | | 0-10 |
| 100 | 100 | 125,0 | E7909/0401/* | | | | | | 0-10 |
| 125 | 125 | 240,0 | E7910/0401/* | | | | | | 0-8 |
| 150 | 150 | 370,0 | E7911/0401/* | | | | | | 0-8 |



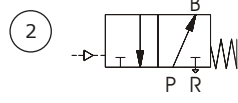
| E79.. mit Ausgleichszylinder E79.. with pressure balance cylinder | | |
|-----------------------------------------------------------------------------|------------------|---------------|
| 10 | Armatur | valve body |
| 20 | Schraubstz | seat |
| 30 | Deckel | cover |
| 40 | Zylinder | cylinder |
| 50 | Kolben | piston |
| 60 | Ventileller | valve disk |
| 70 | Führungsstern | guiding star |
| 80 | Spindel | spindle |
| 90 | Mutter | nut |
| 100 | Überwurfmutter | cap nut |
| 110 | Verschraubung | screw joint |
| 120 | Ring-PTFE | PTFE ring |
| 130 | V-Man PTFE | V-sealing set |
| 140 | Scheibe | disk |
| 150 | Feder | spring |
| 160 | Scheibe | disk |
| 170 | Flansch | flange |
| 180 | Fertigkolben | piston |
| 190 | Scheibe | disk |
| 200 | Scheibe | disk |
| 210 | Antriebszylinder | actuator |
| 220 | Verschraubung | screw joint |
| 230 | Kunststoffkappe | plastic cap |
| 240 | Nutring-PTFE | ring PTFE |
| 250 | Nutring-FKM | ring FKM |
| 260 | O-Ring | o-ring |

| | | |
|-----|----------------|-------------------|
| 270 | O-Ring | o-ring |
| 280 | O-Ring | o-ring |
| 290 | O-Ring | o-ring |
| 300 | KFB PTFE | guiding ring PTFE |
| 310 | Mutter | nut |
| 320 | Mutter | nut |
| 330 | Stifte | pin |
| 340 | DU-Buchse | bushing ring |
| 350 | Sicherungsring | snap ring |
| 360 | Schraube | screw |
| 370 | Schraube | screw |
| 380 | Federring | spring ring |
| 390 | Feder | spring |

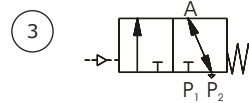




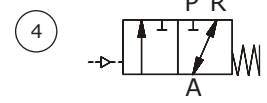
in Ruhestellung geschlossen
in rest-position closed - NC.
mit Antrieb/ with actuator:
./7005
./7008
./7013



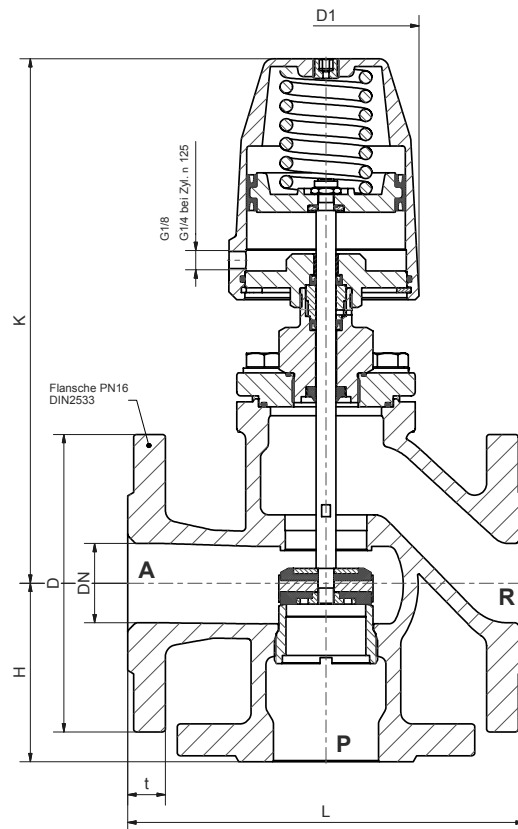
in Ruhestellung offen
in rest-position open - NO.
mit Antrieb/ with actuator:
./8005
./8008
./8013



mischen - *mixing*
mit Antrieb/ with actuator:
./7005-UN
./7008-UN
./7013-UN



verteilen - *distribution*
mit Antrieb/ with actuator:
./7005-UN
./7008-UN
./7013-UN



| | mit Antrieb with actuator ../7005 ../8005 | | | mit Antrieb with actuator ../7008 ../8008 | | | | | | mit Antrieb with actuator ../7013 ../8013 | | | | | | | | | |
|------|----------------------------------------------------|------|------|----------------------------------------------------|------|------|------|------|------|----------------------------------------------------|------|------|------|------|------|------|------|-------|--|
| Type | 7901 | 7902 | 7903 | 7901 | 7902 | 7903 | 7904 | 7905 | 7906 | 7903 | 7904 | 7905 | 7906 | 7907 | 7908 | 7909 | 7910 | 7911 | |
| DN | 15 | 20 | 25 | 15 | 20 | 25 | 32 | 40 | 50 | 25 | 32 | 40 | 50 | 65 | 80 | 100 | 125 | 150 | |
| D1 | Ø62 | | | Ø94 | | | | | | Ø140 | | | | | | | | | |
| H | 60 | 60 | 75 | 60 | 60 | 75 | 80 | 90 | 100 | 75 | 80 | 90 | 100 | 120 | 130 | 160 | 180 | 210 | |
| K | 250 | 250 | 260 | 280 | 280 | 300 | 300 | 325 | 325 | 360 | 360 | 380 | 380 | 395 | 420 | 440 | 470 | 495 | |
| L | 130 | 150 | 160 | 130 | 150 | 160 | 180 | 200 | 230 | 160 | 180 | 200 | 230 | 290 | 310 | 350 | 400 | 480 | |
| t | 15 | 17 | 17 | 15 | 17 | 17 | 19 | 19 | 21 | 17 | 19 | 19 | 21 | 22 | 24 | 25 | 26 | 27 | |
| kg | 7,5 | 9,0 | 11,0 | 8,0 | 9,5 | 11,5 | 14,0 | 19,5 | 21,0 | 13,0 | 17,0 | 23,0 | 26,5 | 34,0 | 47,0 | 60,0 | 75,0 | 110,0 | |